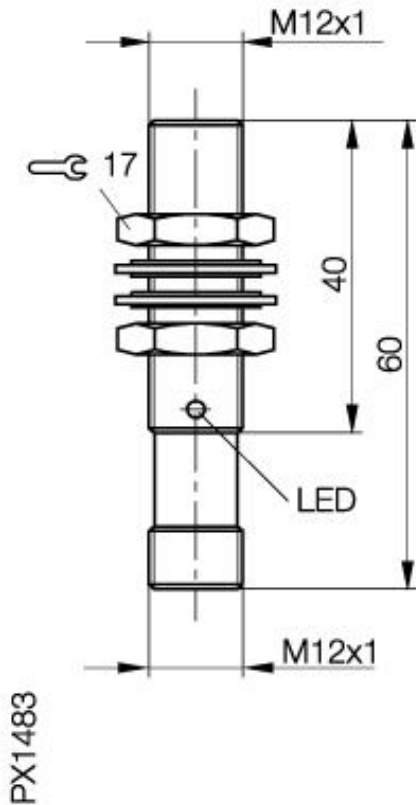


Inductive Sensors
BES M12MG1-POC60B-S04G
M12 x 60
normally-closed
Sn=6mm
quasi shielded



Common Data

| | |
|-------------------------------|----------------|
| Product name | SuperG |
| Mounting in steel | quasi shielded |
| Rated operating distance Sn | 6mm |
| Assured operating distance Sa | 0...4,9mm |
| Repeatability R | ≤ 5% |
| Function indication | yes |
| Ambient temperature range | -25...+70°C |

Mechanical Data

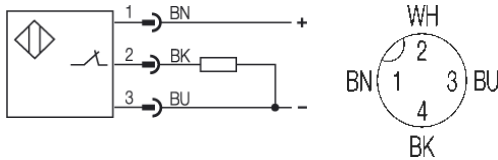
| | |
|---|--------------------|
| Measurements BxHxT or DxT | M12 x 60mm |
| Housing material | CuZn chrome plated |
| Material of sensing face | PBT |
| Degree of protection | IP67IP |
| Connection | Connector S4 (M12) |
| Schock: Halbsinus, 30 gn, 11ms | |
| Vibration: 55 Hz, 1mm Amplitude, 3 x 30 Minutes | |

Electrical Data

| | |
|-------------------------------------|-----------------|
| Current type | DC |
| Wiring | 3-Wire |
| switching function | normally-closed |
| Output signal | PNP |
| Rated operational voltage | 24 DCV |
| Rated operational current | 200mA |
| Supply voltage | 10...30 DCV |
| max. switching frequency | 800Hz |
| No-load supply current | ≤ 10mA |
| Off-state current | ≤ 100µA |
| Voltage drop | ≤ 2V |
| Short circuit protection | yes |
| Protected against polarity reversal | yes |

Remarks

Mounting Instructions 825356



Utilization categories
 Insulation class

DC 13

Datasheet number:

Definitions see general catalog.
 If not otherwise noted, ratings according to
 IEC 60947-5-2 (DIN EN60947-5-2)

Balluff GmbH
 Schurwaldstrasse 9
 73765 Neuhausen a.d.F.
 Phone (07158) 173-0 Fax (07158) 5010

Datenblatt by CD-ROM - 04/2007

BALLUFF
 sensors worldwide